

APRI 360

MAIL OPENER

A VERY SPECIAL LETTER OPENER CAPABLE OF OPENING EVEN THE MOST DIFFICULT ENVELOPES

The opening process is smooth and trouble-free no matter how oversized or deformed the envelopes may be.

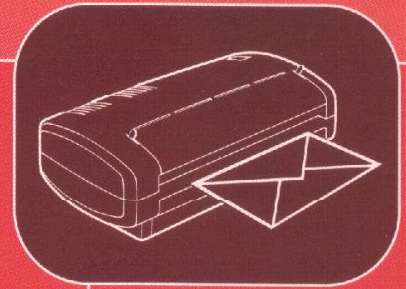
VERSATILE - FOR ALL KINDS OF MAIL

The unique rotary cutting system leaves no envelope unopened - even the heat sealed types containing magazines. Or envelopes made from synthetic materials. Or reinforced, stapled, very large, very thick envelopes and even those envelopes which have been badly damaged in transit. And, of course, all standard ones.

ADDITIONAL OPENING ON TWO OR THREE EDGES

To facilitate extraction of contents the operator has the option of opening the two sides of the envelope as well as the top.

When the three sides have been opened in this fashion the envelope can be flipped open like a book to ensure complete removal of all the contents in every case - an important security check in the case of banking and insurance organisations.

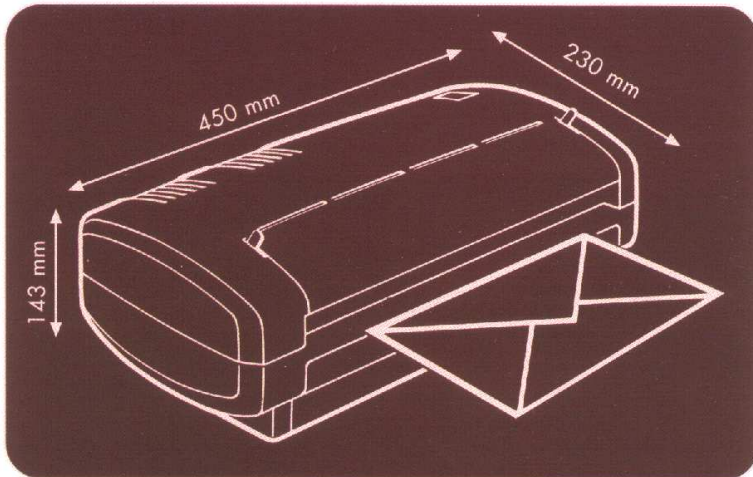


 **ROTOTYPE**®

TECHNICAL SPECIFICATIONS

APRI 360

VOLTAGE	230 Vac	50 Hz
	115 Vac	60 Hz
	100 Vac	50/60 Hz
DIMENSIONS	width	450 mm
	depth	230 mm
	height	143 mm
ENVELOPE SIZE	up to 360 mm width	
	up to 6 mm thickness	



QUALITY TRADEMARKS